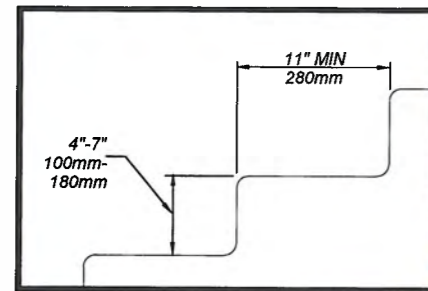
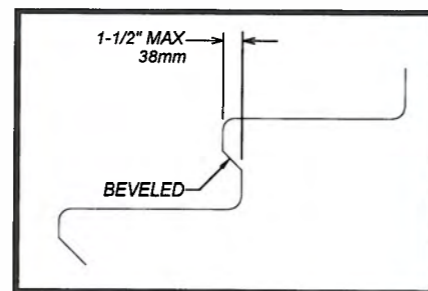


STAIRWAY REQUIREMENTS

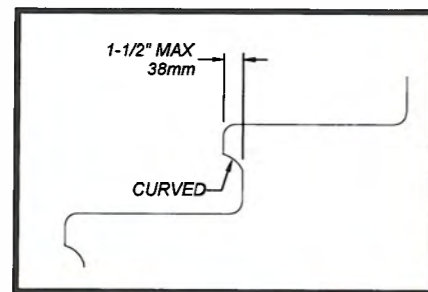
1. STAIRWAYS SHALL BE 4 FT WIDE MINIMUM BETWEEN HANDRAILS.
2. ALL STEPS ON A FLIGHT OF STAIRS SHALL HAVE UNIFORM RISER HEIGHTS AND UNIFORM TREAD DEPTH. RISERS SHALL BE 4 INCHES (100mm) HIGH MINIMUM AND 7 INCHES (180mm) MAXIMUM. TREADS SHALL BE 11 INCHES (280mm) DEEP MINIMUM MEASURED FROM RISER TO RISER.
3. OPEN RISERS SHALL NOT BE PERMITTED.
4. STAIR TREADS SHALL BE STABLE, FIRM, AND SLIP RESISTANT.
5. THE RADIUS OF CURVATURE AT THE LENDING EDGE OF THE TREAD SHALL BE 1/2 INCH (13mm) MAXIMUM. NOSINGS THAT PROJECT BEYOND RISERS SHALL HAVE THE UNDERSIDE OF THE LANDING EDGE CURVED OR BEVELED. RISERS SHALL BE PERMITTED TO SLOPE UNDER THE TREAD AT AN ANGLE OF 30 DEGREES MAXIMUM FROM THE VERTICAL. THE PERMITTED PROJECTION OF THE NOSING SHALL BE 1 INCHES (38mm) MAXIMUM BEYOND THE TREAD BELOW.
6. HANDRAILS SHALL BE PROVIDED ON BOTH SIDES OF STAIRS.
7. OUTDOOR STAIRS AND OUTDOOR APPROACHES TO STAIRS SHALL BE DESIGNED SO THAT WATER WILL NOT ACCUMULATE ON WALKING SURFACES.



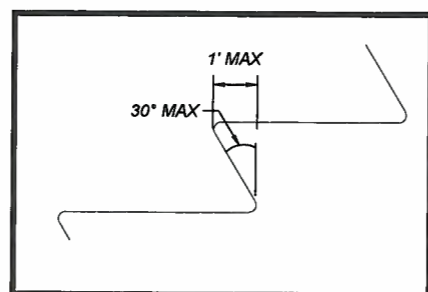
VERTICAL RISER



BEVELED RISER



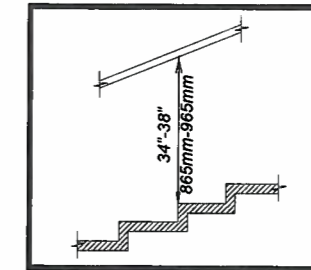
CURVED RISER



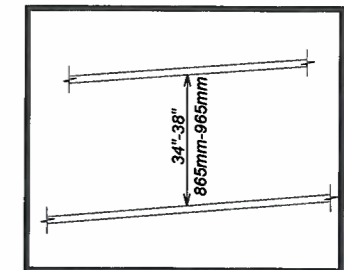
ANGLED RISER

HANDRAIL REQUIREMENTS

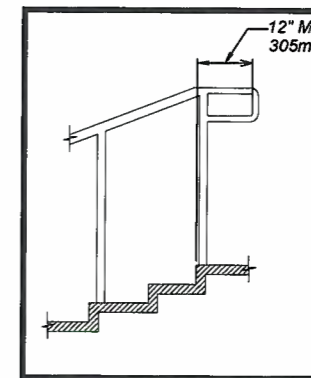
1. HANDRAILS SHALL BE PROVIDED ON BOTH SIDES OF STAIRS AND RAMPS.
2. HANDRAILS SHALL BE CONTINUOUS WITHIN THE FULL LENGTH OF EACH STAIR FLIGHT OR RAMP RUN. INSIDE HANDRAILS ON SWITCH BACK OR DOGLEG STAIRS OR RAMPS SHALL BE CONTINUOUS BETWEEN FLIGHTS OR RUNS.
3. TOP GRIPPING SURFACES OF HANDRAILS SHALL BE 34 INCHES (865mm) MINIMUM AND 38 INCHES (965mm) MAXIMUM VERTICALLY ABOVE STAIR NOSINGS AND RAMP SURFACES. HANDRAILS SHALL BE AT A CONSISTENT HEIGHT ABOVE STAIR NOSINGS AND RAMP SURFACES.
4. CLEAR SPACE BETWEEN HANDRAIL AND WALL SHALL BE 1 INCH (38mm) MINIMUM
5. GRIPPING SURFACES SHALL BE CONTINUOUS WITHOUT INTERRUPTION BY NEW POSTS OTHER CONSTRUCTION ELEMENTS, OR OBSTRUCTIONS.
EXCEPTION: HANDRAIL BRACKETS OR BALUSTERS ATTACHED TO THE BOTTOM SURFACE OF THE HANDRAIL SHALL NOT BE CONSIDERED OBSTRUCTIONS PROVIDED THEY COMPLY WITH THE FOLLOWING CRITERIA:
 - A. NOT MORE THAN 20 PERCENT OF THE HANDRAIL LENGTH IS OBSTRUCTED.
 - B. HORIZONTAL PROJECTIONS BEYOND THE SIDES OF THE HANDRAIL OCCUR 2 INCHES (64mm) MINIMUM BELOW THE BOTTOM OF THE HANDRAIL AND
 - C. EDGES HAVE 11 INCH (32MM) MINIMUM RADIUS.
6. HANDRAILS SHALL HAVE A CIRCULAR CROSS SECTION WITH AN OUTSIDE DIAMETER OD 1-1/4" OR 1.25" INCH (32mm) MINIMUM AND 2 INCH (51mm) MAXIMUM OR SHALL PROVIDE EQUIVALENT GRASPABILITY. EXCEPTION: HANDRAILS WITH OTHER SHAPES SHALL BE PERMITTED PROVIDED THEY HAVE A PERIMETER DIMENSION OF 4 INCH (100mm) MINIMUM AND A 6.25 INCH (160mm) MAXIMUM AND PROVIDED THEIR LARGEST CROSS SECTION DIMENSION IS 2.25 INCH (57mm) MAXIMUM.
7. HANDRAILS AND ANY WALL OR OTHER SURFACES ADJACENT TO THEM, SHALL BE FREE OF ANY SHARP OR ABRASIVE ELEMENTS. EDGES SHALL HAVE 1 INCH (32mm) MINIMUM RADIUS.
8. HANDRAILS SHALL NOT ROTATE WITHIN THEIR FITTINGS.
9. HANDRAILS FOR STAIRS AND RAMPS SHALL HAVE EXTENSIONS.
EXCEPTIONS:
 - A. EXTENSIONS ARE NOT REQUIRED FOR CONTINUOUS HANDRAILS AT THE INSIDE TURN OF STAIRS AND RAMPS
 - B. IN ALTERATIONS FULL EXTENSIONS OF HANDRAILS SHALL NOT BE REQUIRED WHERE SUCH EXTENSIONS WOULD BE HAZARDOUS OR IMPOSSIBLE DUE TO PLAN CONFIGURATION.
10. RAMP HANDRAILS SHALL EXTEND HORIZONTALLY 12 INCHES (305mm) MINIMUM BEYOND OF RAMP RUNS SUCH EXTENSION SHALL RETURN TO WALL GUARD OR THE WALKING SURFACE OR SHALL BE CONTINUOUS TO THE HANDRAIL OF AN ADJACENT RAMP RUN.
11. AT THE TOP OF A STAIR FLIGHT HANDRAILS SHALL EXTEND HORIZONTALLY ABOVE THE LANDING FOR 12 INCHES (305mm) MINIMUM BEGINNING DIRECTLY ABOVE THE FIRST RISER NOSING. SUCH EXTENSIONS SHALL RETURN TO A WALL, OR THE WALKING SURFACE, OR SHALL BE CONTINUOUS TO THE HANDRAIL OF AN ADJACENT STAIR FLIGHT.
12. AT THE BOTTOM OF THE STAIR FLIGHT HANDRAILS SHALL EXTEND AT THE SLOPE OF THE STAIR FLIGHT FOR A HORIZONTAL DISTANCE AT LEAST EQUAL TO ON TREAD DEPTH BEYOND THE LAST RISER NOSING. EXTENSIONS SHALL RETURN TO A WELL, GUARD, OR THE LANDING SURFACE, OR SHALL BE CONTINUOUS TO THE HANDRAIL OF AN ADJACENT STAIR FLIGHT.



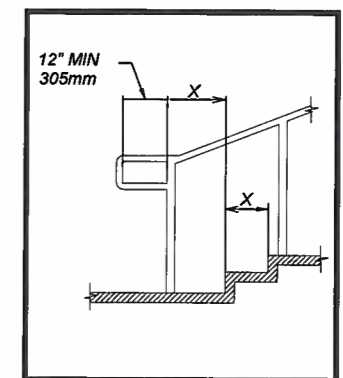
STAIR HANDRAIL HEIGHT



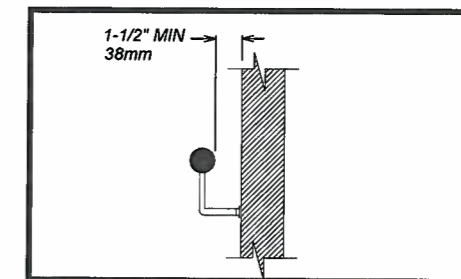
RAMP HANDRAIL HEIGHT



TOP HANDRAIL EXTENSION AT STAIRS



BOTTOM HANDRAIL EXTENSION AT STAIRS



HANDRAIL CLEARANCE



NO.	DATE	REV. BY	DESCRIPTION
REVISIONS (OR CHANGE NOTICES)			
NEW MEXICO DEPARTMENT OF TRANSPORTATION STANDARD DRAWING			
PEDESTRIAN ACCESS DETAILS STAIRWAY AND HANDRAILS			
APPROVED	[Signature]		1-13-15 DATE
			DESIGN ENGINEER
608-001-11			608- 11 of 12